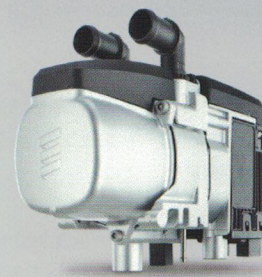
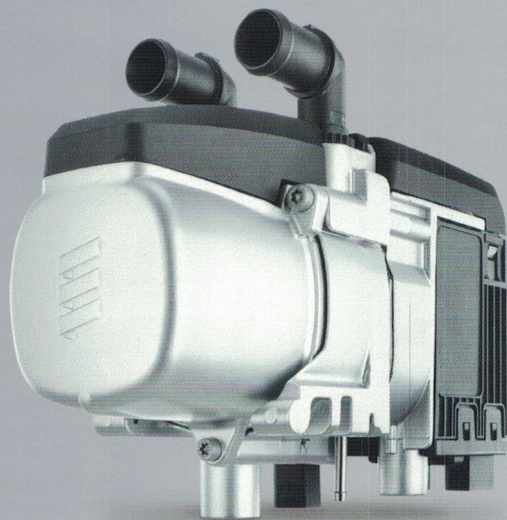


Water heater Hydronic S3 Economy/Commercial



NEW FOR 2019!



Product picture does not show series scope

HYDRONIC S3 ECONOMY/COMMERCIAL – NOW EVEN MORE VERSATILE:

The CAN/switching plus version of the Hydronic S3 Economy is the direct successor to the previous CAN/LIN version and is compatible with the Eberspächer EasyStart CAN-bus-compatible control unit family that will be available. The new switching plus input also ensures compatibility with all other control units that output an S+ switch-on signal.

The new Hydronic S3 Commercial rounds off the product family with a 24-volt version for commercial applications. It will also be available in a 5.6 kW Power version for commercial applications for the first time, making it unrivaled on the market.

 **esparparts.com**

(800) 837-3900
www.EsparParts.com

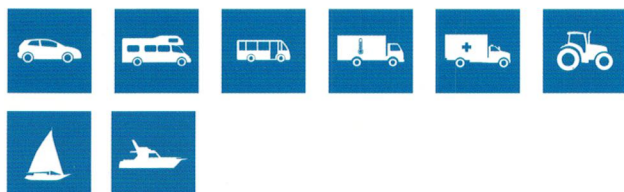


Eberspächer

ADVANTAGES:

- Interfaces: CAN and S+
- Economy: service life 3,000 h
- Commercial: service life 5,000 h
- Compatibility with all new and many conventional control units
- New 24-volt heater for commercial applications
- NEW: Power version with 5.6 kW heating performance
- Very large output range
- Utilization of residual heat through heating circuit run-on control
- Stepless heating performance control
- Noise emissions optimized

ECONOMY SEGMENTS:



ADDITIONAL FEATURES:

- Economy: gasoline (also E10) and diesel (also B30)
Commercial: diesel (also B30)
- Diagnostic display via EasyStart TP 7.1 control units, as well as via EasyStart CAN-based control units
- Economy: suitable for altitudes up to 1,500 m above sea level; altitude adjustment can be activated manually above 1,500 m with EasyStart Pro
Commercial: automatic altitude adjustment up to 3,000 m above sea level
- Connection diameters:
water 20 mm, exhaust gas 24 mm, combustion air 20 mm
- ADR compatible with EasyStart Pro (with "Commercial" version)

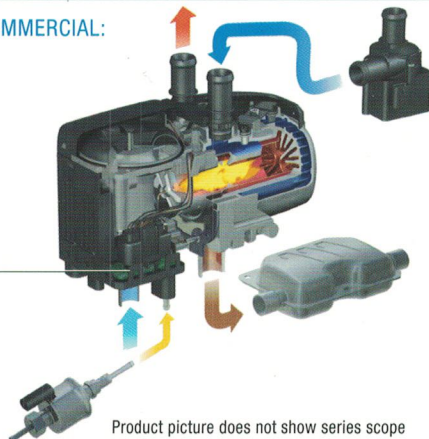
COMMERCIAL SEGMENTS:



HYDRONIC S3	Economy				Commercial	
	Gasoline		Diesel		NEW: Power version	
Version	B4E	B5E	D4E	D5E	D5L	D6L
Heating performance control	Stepless					
Service life	h 3,000				5,000	
Heating performance	kW 1.8 to 4.3	1.8 to 5.0	1.3 to 4.3	1.3 to 5.0	1.3 to 5.0	1.3 to 5.6
Voltage	V 12				24	
Electric power consumption without WP	W 24	32	24	32	32	37
with WP	W 42	50	42	50	67	72
Fuel consumption	l/h 0.57	0.67	0.53	0.59	0.59	0.65
Operating temperature range	°C -40 to +60		-40 to +80			
Weight without WP** and without MP***	kg 2.0					
Main dimensions L x W x H	mm 215 x 91 x 144					
Protection rating	Heater: IP5K6K, IP5K9K, control unit: IP6K6K, IP6K9K*					
Interfaces	CAN, S+					
Part number	20.2007.05.0000	20.2008.05.0000	25.2933.05.0000	25.2934.05.0000	25.2696.05.0000	25.2745.05.0000

* The heater is protected against dust in harmful quantities, against powerful water jets under increased pressure and against water during high-pressure/steam jet cleaning (provided it is not in operation). The control unit is fully dustproof, fully protected against powerful water jets under increased pressure, as well as against water during high-pressure/steam jet cleaning (provided it is not in operation).
** Water pump *** Metering pump

HYDRONIC S3 ECONOMY/COMMERCIAL:



New control unit for CAN communication and high performance

Product picture does not show series scope

NEW HOLDER DESIGN FOR HYDRONIC S3 COMMERCIAL:

- Part number: 22.1000.51.5000
Four different installation versions:
- two vertical (left or right side)
 - two horizontal (left or right side)

